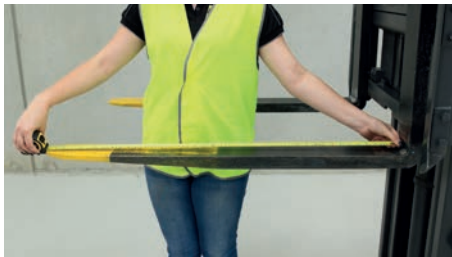


HOW TO MEASURE GENIEGRIPS®

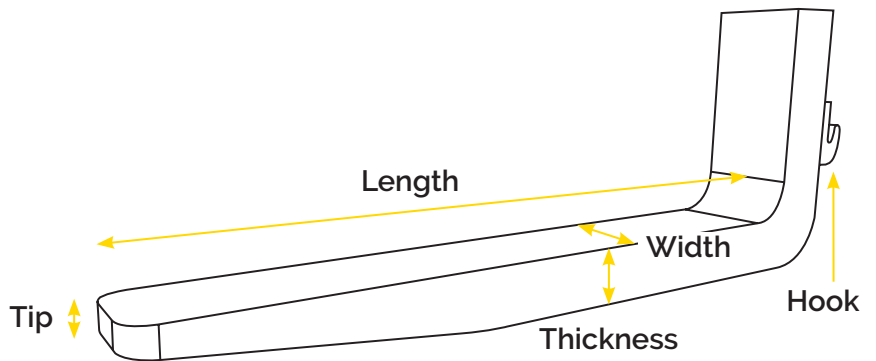


STEP 1:

Measure Length

Measure top of tyne from the front of the shaft to the tip.

Length = _____ mm



Turn overleaf to measure Tyne Carriage Hook



STEP 2:

Measure Width

Measure top of tyne at widest part (closest to the shaft).

Note: Measuring towards the back of tyne ensures we have the maximum width and thickness.

Width = _____ mm



STEP 3:

Measure Thickness

Measure thickest part of tyne (closest to the shaft).

Thickness = _____ mm



STEP 4:

Measure Tip

Measure front tip of tyne.

Tip = _____ mm



IMPORTANT: Fork Tyne Clearance

"When picking up goods, there must be sufficient clearance above Mats when installed (30mm recommended) to ensure they do not scrape or buckle by forcing against load – see picture on left.

Please refer to our clearance Tolerance Tables on the GenieGrips® website. Licensed forklift drivers must also enter the pallet at a 90 degree angle."

HOW TO MEASURE GENIEGRIPS®



STEP 5:

Measure Vertical Thickness

Measure thickness of tyne shaft.

Thickness = _____ mm

STEP 6:

Measure Blade Curve

Measure thickness of tyne at the 90 degree angle / bend.

Thickness = _____ mm

STEP 7:

Measure Hook Clearance

Measure distance between top of tyne and bottom of the carriage hook (see diagrams below).

Clearance A = _____ mm

OR

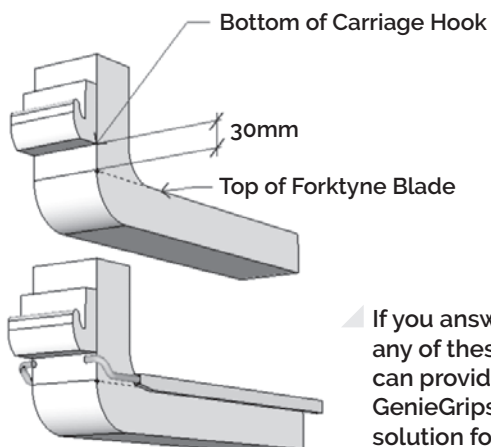
Clearance B = _____ mm

CARRIAGE HOOK TYPES:

TYPE A - is the bottom of the Carriage Hook **30mm** above the top surface of the Forktyne Blade?

YES

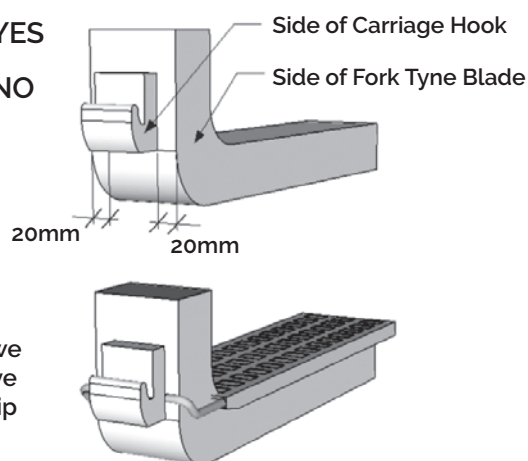
NO



TYPE B - is there **20mm clearance** between the side of the Carriage Hook and the side of the Forktyne Blade?

YES

NO



▲ If you answered "NO" to any of these questions, we can provide an alternative GenieGrips® Mat Heel Clip solution for you.



HELPFUL HINT:

"The measurements of Carriage Hook height is imperative as the GenieGrips® Mats need space for the heel hooks to fit securely behind tyne."